



STANDBY GENERATORS

15-20kW¹ STANDBY GENERATORS



MORE CHOICES. MORE FEATURES. MORE VALUE.

Protect your customers' home and family from power outages with the Briggs & Stratton 15kW¹/16kW¹/20kW¹ home generator systems. Perfect for medium-to-large homes, we provide you with reliable power and flexible options to meet your customers' home's power needs.

Briggs & Stratton has been providing reliable engine power for more than 100 years. Trust the proven power experts at Briggs & Stratton for complete peace of mind.

To learn more, visit briggsandstratton.com/generators

FEATURES AND BENEFITS

Flexible Placement

Tested against tough National Fire Protection Agency standards, Briggs & Stratton 15kW¹/16kW¹/20kW¹ standby generators can be as close as 18" from the home providing more placement options in your yard³ - perfect for tight lot lines.

Reliable Engine Power

Our standby generators are powered by commercial-grade Vanguard™ engines that are design-engineered to dependably take on the most demanding jobs.

More Access to Air Conditioners

Briggs & Stratton automatic transfer switches can manage the loads of up to two air conditioners while powering other household appliances.

Power Solution Options

Choose between an Essential Power-Plus! system that powers a select number of circuits plus up to 2 air conditioners or a Managed Whole House Power system that powers all of your household appliances plus up to 2 air conditioners with our Load Control Center.

4 Year Limited Parts and Labor Warranty²

At Briggs & Stratton, we stand behind our warranty and make it easy for our customers to work with us.

GENERATOR SET RATINGS

LP VAPOR		NATURAL GAS		VOLTAGE	POWER FACTOR	PHASE	HZ	BREAKER
KW	AMPS	KW	AMPS					
20	83.3	18	75.0	120/240	1.0	1	60	100
16	67.0	14	60.0	120/240	1.0	1	60	80
15	63.0	13.5	57.0	120/240	1.0	1	60	70

FEATURES & BENEFITS

DURABLE ENCLOSURE

Rust-resistant, Galvanneal steel enclosures are made from the same materials and paint process used in the automotive industry, resulting in years of protection against chips and abrasions.

QUICK RESPONSE

Automatically powers your home in seconds after sensing a power outage.

FOCUSED ON PROTECTING YOUR HOME AND FAMILY

Thoroughly tested against National Fire Protection Standards, the 15kW¹/16kW¹/20kW¹ standby generators have a thermally protected fuel system which automatically shuts off the unit in the event of a fire. All-steel enclosure and base endure temperatures more than double that of aluminum and far beyond that of plastic.³

FRONT AIR VENTILATION

Featuring unique airflow technology, the standby generator's design pushes engine exhaust out the front of the unit and directly away from the house.

WHY CHOOSE BRIGGS & STRATTON?

Briggs & Stratton offers a full line of automatic Standby Generators from 8-60kW¹ for protection during a power outage.

TRUSTED BRAND

Briggs & Stratton has been providing reliable engine power for close to 100 years. It's name that your customers know and trust. Customers are confident that Briggs & Stratton products have the power to perform for many years.

RELIABLE PRODUCTS

Field-driven design and extensive testing help ensure that customers are receiving one of the best standby generators available.

Trust the proven power experts at Briggs & Stratton for complete peace of mind.

ENGINE SPECIFICATIONS	15KW ¹	16KW ¹ / 20KW ¹
Engine Model	Briggs & Stratton Vanguard™	
Engine Model Type Trim Number	614275-0111-G1	613275-0118-B1
Engine Type	V-Twin, 4-Cycle	
Engine Cylinder Configuration	OHV	
Number of Cylinders	2, V-Twin	
Engine Speed	3600 RPM	
Displacement (cu.in./cc)	60.6 / 993	
Bore (in)	3.37	
Stroke (in)	3.41	
Engine Weight (lbs)	125	
Engine Fuel	Liquid Propane/Natural Gas	
Induction System	Naturally Aspirated	
Starter	Industrial Electric Solenoid Shift	
Valves	OHV with Hardened Seats	
Air Filter Type	Dry Cartridge, UL Approved	
Governor Type	Electronic	
Frequency Regulation	E-governing control	
Start Type	Automatic	
Lubrication System	Full Pressure	
Recommended Oil	5W30 Full Synthetic	
Oil Capacity (oz.)	78	
Oil Cooler	Yes	
Low Oil Pressure Sensor	Yes	
Cooling System Type	Air-cooled	

TRANSFER SWITCH SPECIFICATIONS (OPTIONS)

Current Rating	100A or 200A or 2 x 200A(20kW ¹ Only)	
UL Approved	Yes	
Voltage Ratings	120/240	
Wired Whip	No	
Number of Protected Circuits	Essential Circuits Plus (16 circuits) or Managed Whole House	

WEIGHT AND DIMENSIONS	15KW ¹ / 16KW ¹	20KW ¹
Assembled Weight (lbs)	484	500
Assembled Dimensions (L x D x H)	47 x 29 x 31" (BASE 50.5 x 32.9")	
Packaged Weight (lbs)	564	580
Packaged Dimensions (L x D x H)	72 x 36 x 39"	

LP FUEL CONSUMPTION⁴

	15KW ¹	16KW ¹	20KW ¹
100% Load (ft ³ /hr / gal/hr)	109 / 3.03	113 / 3.14	135 / 3.75
50% Load (ft ³ /hr / gal/hr)	68 / 1.89	71 / 1.97	83 / 2.31

NG FUEL CONSUMPTION⁴

	15KW ¹	16KW ¹	20KW ¹
100% Load (ft ³ /hr)	240	244	260
50% Load (ft ³ /hr)	156	163	187

OTHER FEATURES

Enclosure Material	Galvanneal with Corrosion Resistant Paint
Overcrank Protection	Yes
Engine Warm-up (min)	20s or 50s ATS Jumper Controlled
Engine Cool Down (min)	1 min.
Response Time (min)	26s or 56s ATS Jumper Controlled
2 Wire Sensing	Yes
Continuous Battery Charging	Yes
Battery	12V, Not included. BCI size 26, battery min 540 CCA; Below 0°F: BCI size 75 battery, min 630 CCA
Monitoring	Wireless, Basic (Sold Searately)

SOUND RATING AT 7 METERS, PER ISO 3744

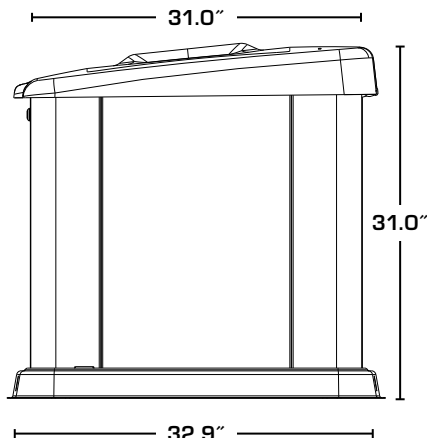
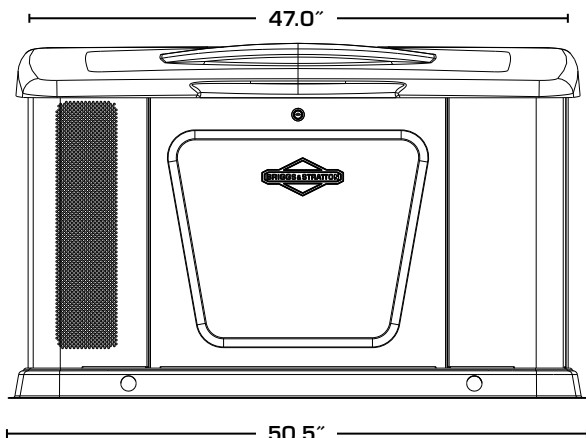
Exercise (dBA)	68.4
5kW ¹ Load (dBA)	69.1
10kW ¹ Load (dBA)	70.8

CERTIFICATIONS

UL	Yes
cUL	Yes

LIMITED WARRANTY²

Consumer Warranty (Product)	4 Years
-----------------------------	---------



ALTERNATOR SPECIFICATIONS

Manufacturer	Briggs & Stratton
Type	Self-Excited, Rotating Field
Brushed/Brushless Alternator	Brushed
Voltage Regulation	Automatic
Number of Poles	2
Insulation	Class F

CONTROLLER FEATURES

Hour Meter	Yes
Weekly Exerciser	Yes



CONTROLLER FAULT CODES

Remote System Status alerts are communicated to a small wall mountable display with a light indicator and a quick reference to the codes on the generator. The number of blinks represent the fault code issue.	1. Low Oil Shutdown
	2. Engine Does Not Start
	3. Low Frequency
	4. Engine Overspeed
	5. Low Voltage
	6. Low Battery Voltage
	7. Engine Temp High
	8. Transfer Switch Fault

INCLUDED EXTRAS

- an integrated system status panel
- battery charger
- hour meter
- oil

Not for Prime Power or use where standby systems are legally required, for serious life safety or health hazards, or where lack of power hampers rescue of fire-fighting operations.

¹ This generator is rated in accordance with UL (Underwriters Laboratories) 2200 (stationary engine generator assemblies) and CSA (Canadian Standards Association) standard C22.2 No. 100-04 (motors and generators)

² Warranty details available at briggsandstratton.com

³ Installations must strictly comply with all applicable codes, industry standards, laws, regulations and provided installation manual. Running engines give off carbon monoxide, an odorless, colorless, poisonous gas so it is important to keep exhaust gas away from any windows, doors, ventilation intakes or crawl spaces. The installation manual contains specific instructions related to generator placement in addition to NFPA 37, including the requirement that carbon monoxide detectors be installed and maintained in your home

⁴ Fuel consumption rates are estimated based on normal operating conditions. Generator operation may be greatly affected by elevation and the cycling operation of multiple electrical appliances – fuel flow rates may vary depending on these factors.

SUPPORT EVERY STEP OF THE WAY

Need help? Just call 800-759-2744. Our technical support team is trained to answer questions on our generators, transfer switches and accessories.

**READY TO PLACE AN ORDER?
OUR TEAM IS READY TO HELP.
CALL 1-87-RELY-ON-US.**

MODEL NUMBERS

TRANSFER SWITCH	15KW ¹	16KW ¹	20KW ¹
100A, 16 Circuit	040369	040393	040395
100A, Whole House	040367	040392	040394
200A, Whole House	040368	040401	040346
2x200A/400A, Whole House	-	-	040396

TRANSFER SWITCHES

BRIGGS & STRATTON TRANSFER SWITCH

Briggs & Stratton Transfer Switch options for the 15kW¹/16kW¹/20kW¹ standby generators include:

- 100 Amp, 16 Circuit Transfer Switch
- 100 Amp Whole Home Transfer Switch
- 200 Amp Whole Home Transfer Switch
- Dual 200A Whole Home Transfer Switch which is ideal for standard split 400A service homes with two 200A distribution panels.

Most of our transfer switches feature an Air Conditioning Control Module (ACCM) that manages the load of one or two air conditioners while keeping household appliances powered.

Flexible, indoor or outdoor, transfer switch placement make it convenient to install. All of our weather-resistant transfer switches are NEMA 3R rated for maximum protection against dirt, rain, sleet and snow.

AVAILABLE ACCESSORIES

MAINTENANCE KIT (6036)

Maintenance kits help you complete scheduled and preventative maintenance on your standby generator. Designed specifically for your generator's needs, each maintenance kit contains oil and air filters, an oil funnel and spark plugs.

COLD WEATHER KIT (6231)

Ensure smooth operation in the winter months. The thermostatically controlled battery warmer and oil heater activate as the temperature drops helping the standby generator operate in colder temperatures. The 15kW¹/16kW¹/20kW¹ home generator systems using this kit have been tested to start as low as -25° F. Kit includes two oil warmers and one battery warmer.

BASIC WIRELESS MONITOR (6229)

Easy, trouble-free monitoring is a reality with the new Briggs & Stratton Basic Wireless Monitor. Place the wireless monitor in your home and know your generator is working without ever having to go outside.